


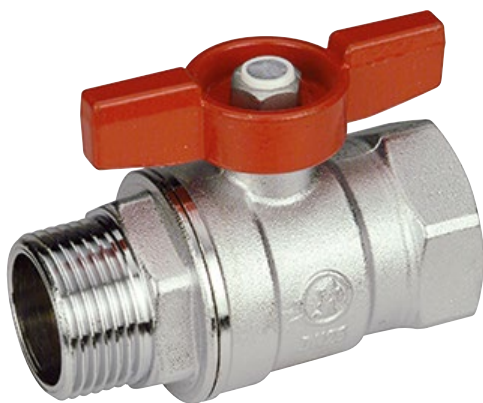
R254D

Ball valve for water for heating systems, standard port



Energy
Management

Datasheet
0594EN  08/2023



Ball valve, with female-male threaded connections.
Standard port.

Technical data

Main features and materials

- Suitable for water for heating/cooling systems, not dangerous gas and liquid hydrocarbons*
- Standard port
- Valve made of UNI EN 12165 CW617N chrome plated brass
- Stem with double O-Ring
- Nut with anti-corrosion coating, with guarantee seal and hologram
- Aluminium T-handle, red painted

* Please consult Giacomini technical support, to check the compatibility of the product with the specific hydrocarbon.

Field of applications

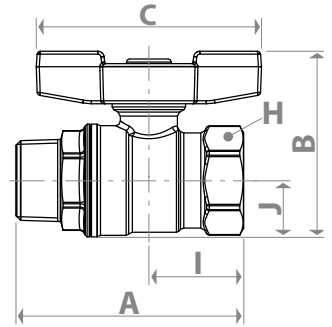
- Min. working temperature: -20 °C with 50 % glycol solutions
- Max. working temperature with dry saturated steam: 185 °C with 1,05 MPa (10,5 bar)
- Max. working pressure at 20 °C with water and not dangerous gas:
4,2 MPa (42 bar) for 1/4", 3/8", 1/2", 3/4"
3,5 MPa (35 bar) for 1", 1-1/4"
- Temperature range with liquid hydrocarbons*: -20÷60 °C
- Max. working pressure at 20 °C with liquid hydrocarbons*: 1,2 MPa (12 bar)

➤ Versions and product codes

PRODUCT CODE	CONNECTIONS	FINISHING	HANDLE TYPE	HANDLE COLOR	PACKAGING
R254X001	G 1/4"F x R 1/4"	Chrome plated brass	T-handle	Red	Standard
R254X002	G 3/8"F x R 3/8"	Chrome plated brass	T-handle	Red	
R254X003	G 1/2"F x R 1/2"	Chrome plated brass	T-handle	Red	
R254X004	G 3/4"F x R 3/4"	Chrome plated brass	T-handle	Red	
R254X005	G 1"F x R 1"	Chrome plated brass	T-handle	Red	
R254X006	G 1-1/4"F x R 1-1/4"	Chrome plated brass	T-handle	Red	
R254ZX002	Rc 3/8" x R 3/8"	Chrome plated brass	T-handle	Red	
R254ZX003	Rc 1/2" x R 1/2"	Chrome plated brass	T-handle	Red	
R254ZX004	Rc 3/4" x R 3/4"	Chrome plated brass	T-handle	Red	
R254ZX005	Rc 1" x R 1"	Chrome plated brass	T-handle	Red	
R254ZX006	Rc 1-1/4" x R 1-1/4"	Chrome plated brass	T-handle	Red	
R254X043	G 1/2"F x R 1/2"	Chrome plated brass	T-handle	Red	
R254X044	G 3/4"F x R 3/4"	Chrome plated brass	T-handle	Red	
R254X045	G 1"F x R 1"	Chrome plated brass	T-handle	Red	

➤ Dimensions and Kv

PRODUCT CODE	DN	A [mm]	I [mm]	B [mm]	J [mm]	C [mm]	H [mm]	Kv
R254X001	8	51	21	35	10	40	wr.17	6,6
R254X002	10	55	22	46	14	63	wr.21	6,7
R254X003	14	64	27	51	15	63	wr.25	10,2
R254X004	18	76	31	60	18	73	wr.32	18,5
R254X005	22	89	38	69	23	73	wr.39	36,3
R254X006	28	100	42	78	28	73	wr.48	73,5
R254ZX002	10	55	22	46	14	63	wr.21	6,7
R254ZX003	14	64	27	51	15	63	wr.25	10,2
R254ZX004	18	76	31	60	18	73	wr.32	18,5
R254ZX005	22	89	38	69	23	73	wr.39	36,3
R254ZX006	28	100	42	78	28	73	wr.48	73,5
R254X043	14	64	27	51	15	63	wr.25	10,2
R254X044	18	76	31	60	18	73	wr.32	18,5
R254X045	22	89	38	69	23	73	wr.39	36,3



➤ Product specifications

R254D

Ball valve, with female-male threaded connections. Suitable for water for heating/cooling systems, not dangerous gas and liquid hydrocarbons. Valve made of UNI EN 12165 CW617N chrome plated brass. Standard port. Aluminium T-handle, red painted. Stem with double O-Ring. Nut with anti-corrosion coating, with guarantee seal and hologram. Min. working temperature: -20 °C with 50 % glycol solutions. Max. working temperature with dry saturated steam: 185 °C with 1,05 MPa (10,5 bar). Max. working pressure at 20 °C with water and not dangerous gas: 4,2 MPa (42 bar) for 1/4", 3/8", 1/2", 3/4"; 3,5 MPa (35 bar) for 1", 1-1/4". Temperature range with liquid hydrocarbons: -20+60 °C. Max. working pressure at 20 °C with liquid hydrocarbons: 1,2 MPa (12 bar).

⚠ Safety Warning. Installation, commissioning and periodical maintenance of the product must be carried out by qualified operators in compliance with national regulations and/or local standards. A qualified installer must take all required measures, including use of Individual Protection Devices, for his and others' safety. An improper installation may damage people, animals or objects towards which Giacomini S.p.A. may not be held liable.

♻ Package Disposal. Carton boxes: paper recycling. Plastic bags and bubble wrap: plastic recycling.

ℹ Additional information. For more information, go to giacomini.com or contact our technical assistance service. This document provides only general indications. Giacomini S.p.A. may change at any time, without notice and for technical or commercial reasons, the items included herewith. The information included in this technical sheet do not exempt the user from strictly complying with the rules and good practice standards in force.

♻ Product Disposal. Do not dispose of product as municipal waste at the end of its life cycle. Dispose of product at a special recycling platform managed by local authorities or at retailers providing this type of service.